

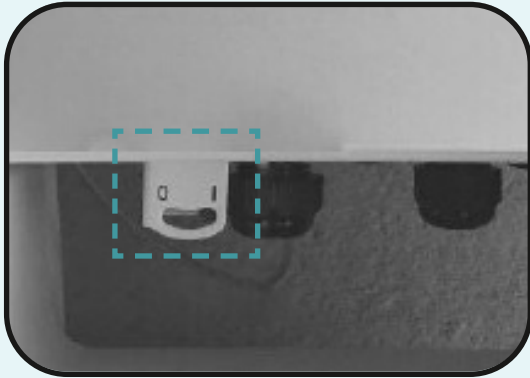


INSTRUCTION MANUAL  
**POWER OFF/ON INSTRUCTIONS**  
SOLAREEDGE INVERTER + LG BATTERY

# Powering Off the Inverter

## Power Off the Inverter

**1** Turn your inverter switch to the OFF position. This switch will appear different depending on your model of inverter. Wait 60 seconds.

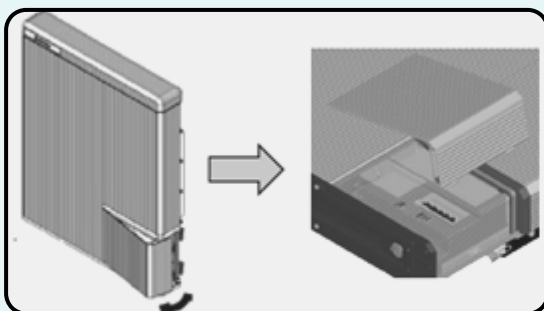


**2** Turn inverter supply OFF at the isolator switch and main switchboard.



## Power Off the Battery

**3** Remove the wiring box cover from the battery by unclipping the clasp at the rear.



**4** Turn the circuit breaker and auxiliary power disconnect switch to their OFF positions. Wait 5 minutes.

**Repeat steps 1-4 in reverse order.** Ensure your battery's ON indicator is visible on the front of the device before turning the inverter back on.

